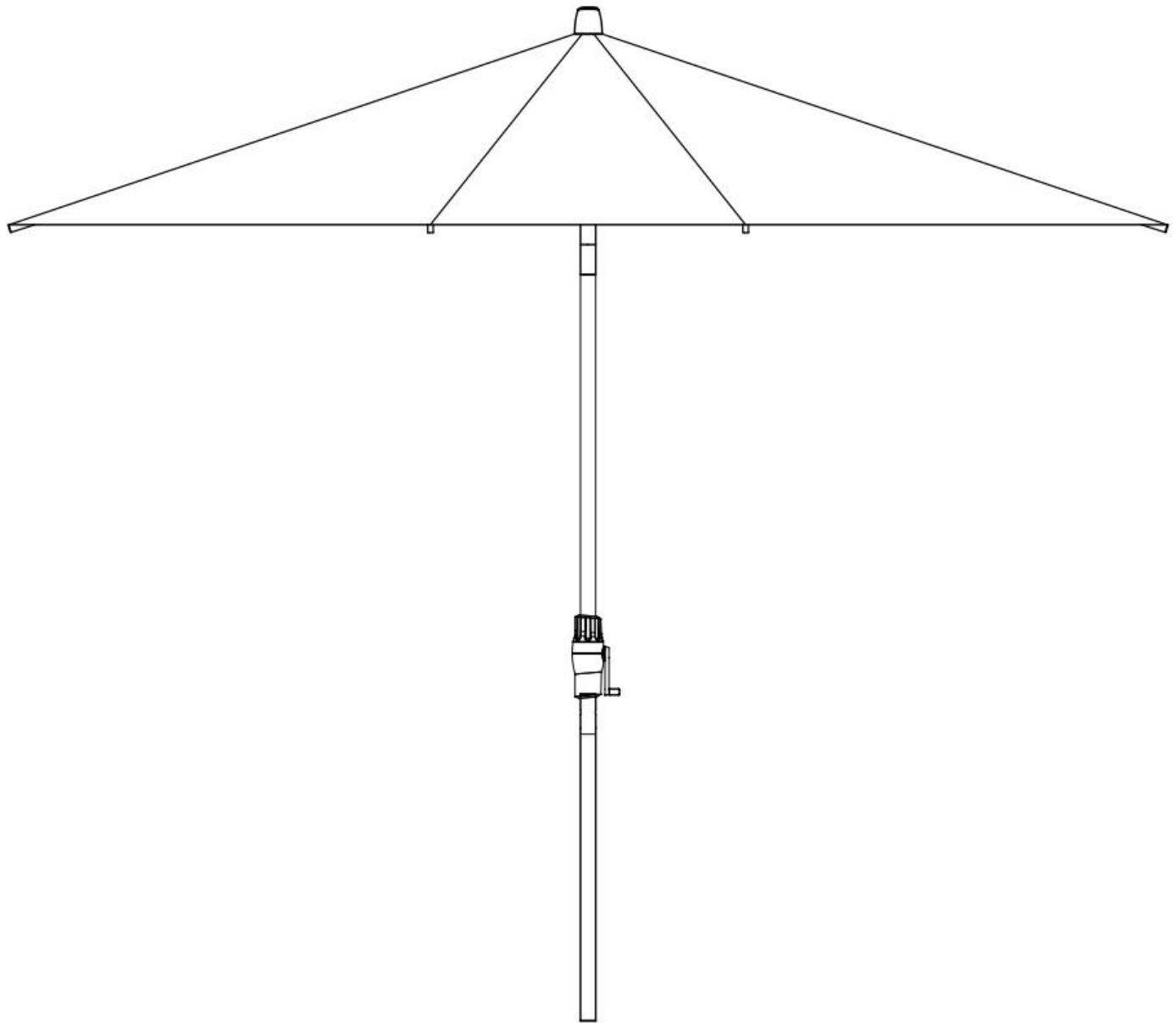




Instruction Manual

Lybra

Aluminum center pole umbrella



Parts



A
Cap(1)



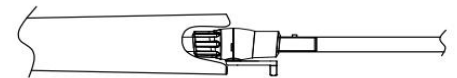
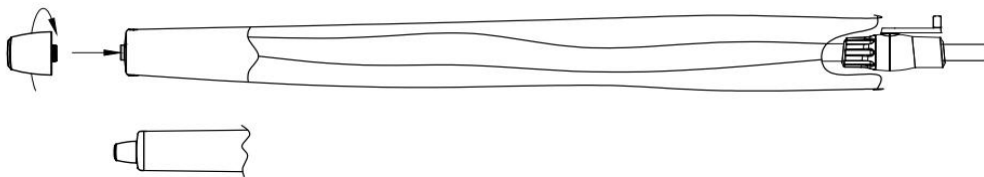
B
Parasol(1)



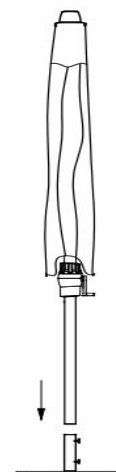
C
Lower pole(1)

Assembly

Take out the parasol (Item B) and lower pole assembly (Item C), ensure all parts are intact and free of damage. Assembly cap(Item A) onto the top of the parasol.

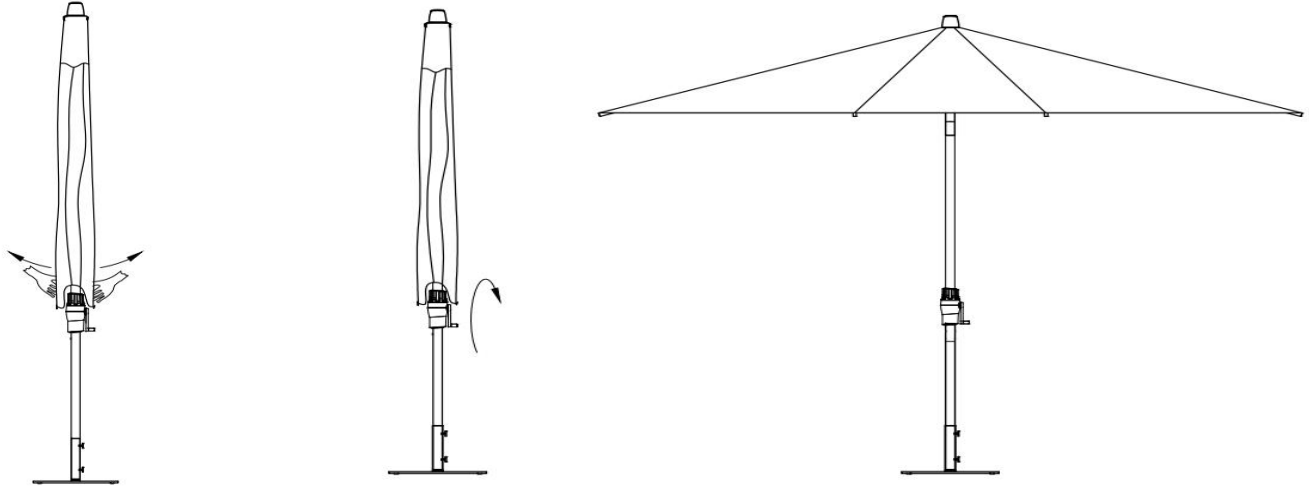


Insert the umbrella pole into the base tube and secure it with set screws. Ensure the base has enough weight for stability.



Opening

Open the parasol via the crank upwards to a suitable height, the umbrella will automatically lock into the place.

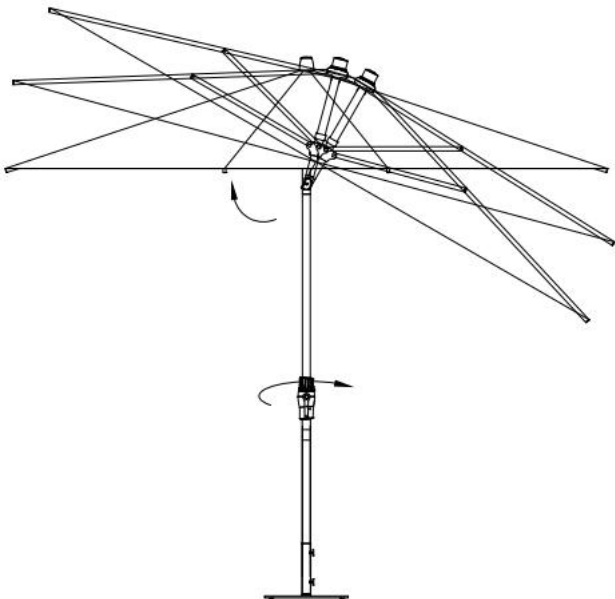


Note: When opening the umbrella for the first time umbrella rib outward to facilitate the opening of the umbrella.

Tilt

Twist tilting function.

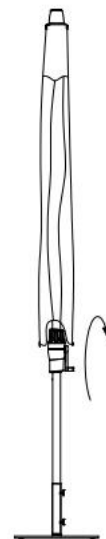
NOTE: Please close the umbrella when the wind is strong to ensure safety.



Closing

Close the parasol via the crank.

Secure the canopy with the velcro tie, make sure the velcro tie goes around the pole.



Manufacturer and seller expressly disclaim any and all liability for personal injury, property damage or loss, whether direct, indirect, or incidental, resulting from the incorrect attachment, improper use, inadequate maintenance, or neglect of this product.