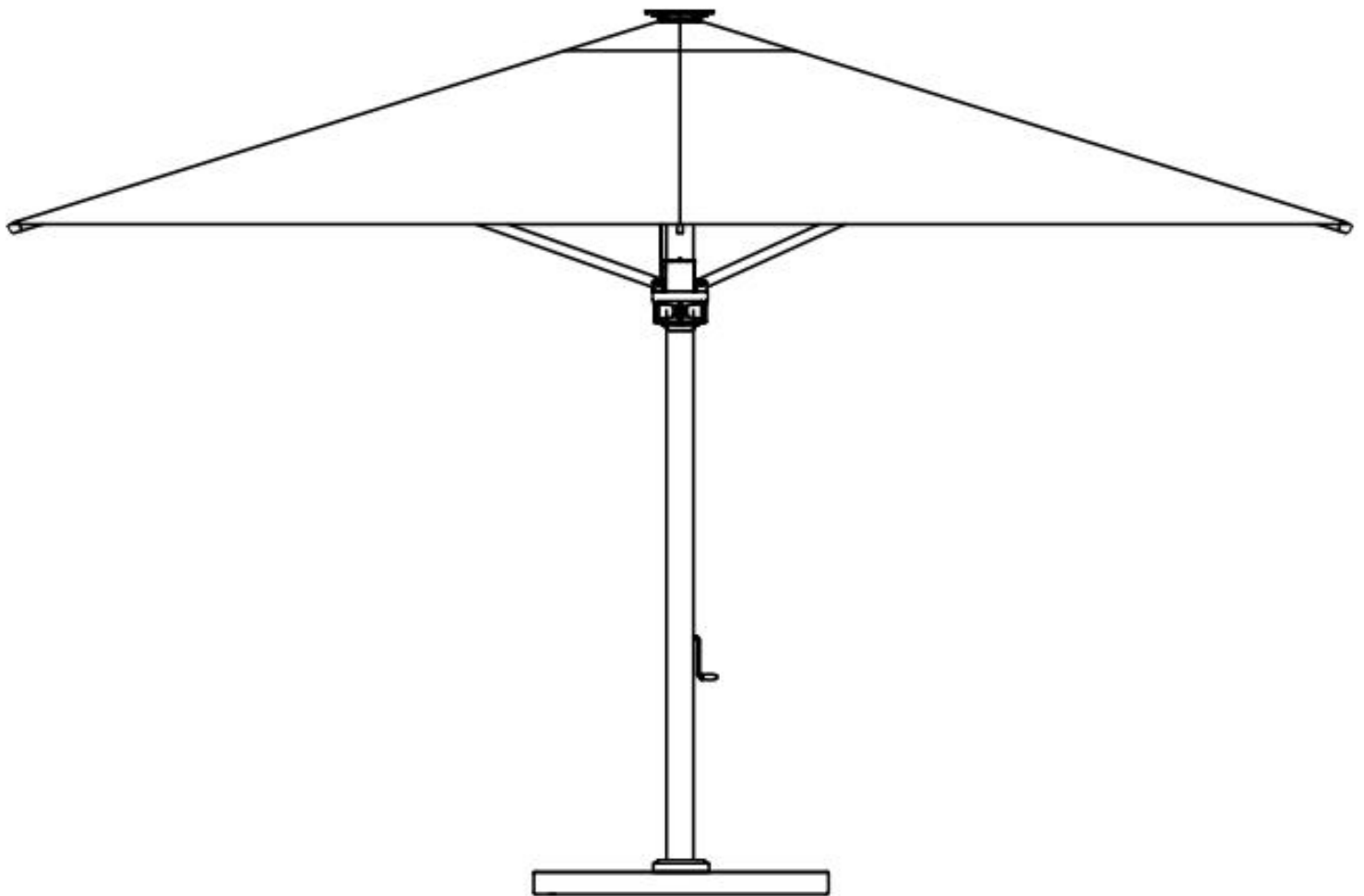




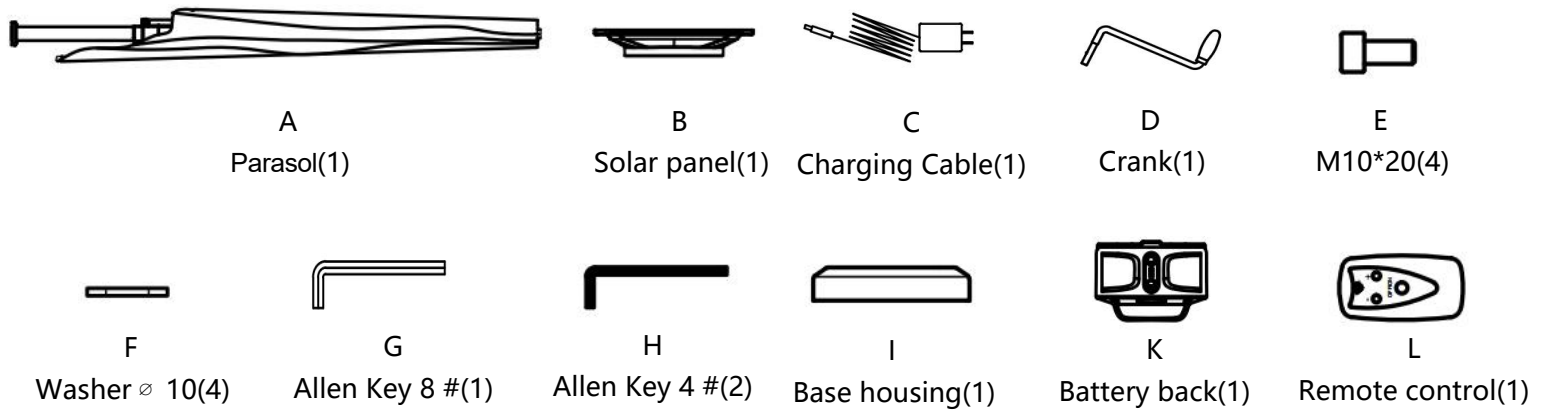
Instruction Manual

Hydrus

Aluminum telescopic umbrella



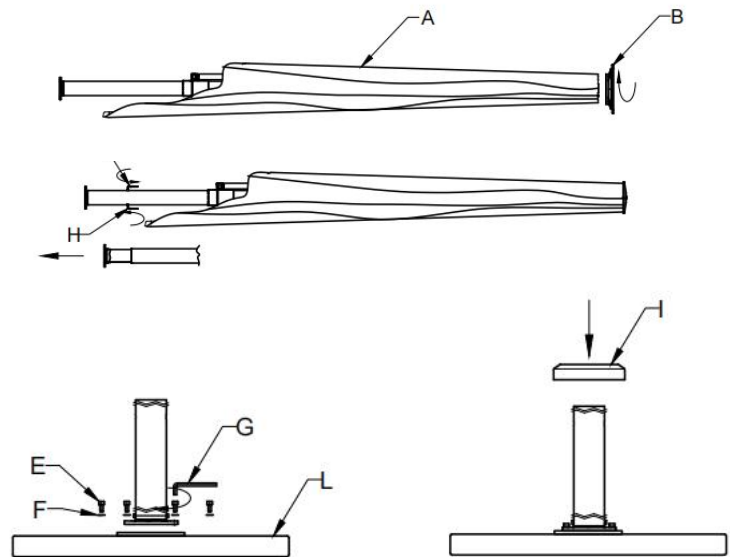
Parts



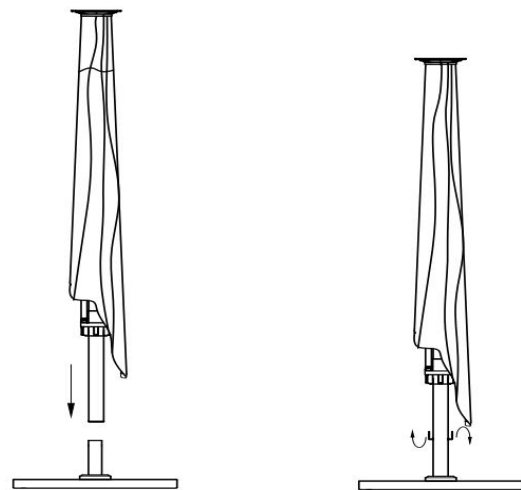
Assembly

Take out the umbrella pole (Item A) and the adapter tube, ensure all parts are intact and free of damage.

Mount the adapter tube on the base.

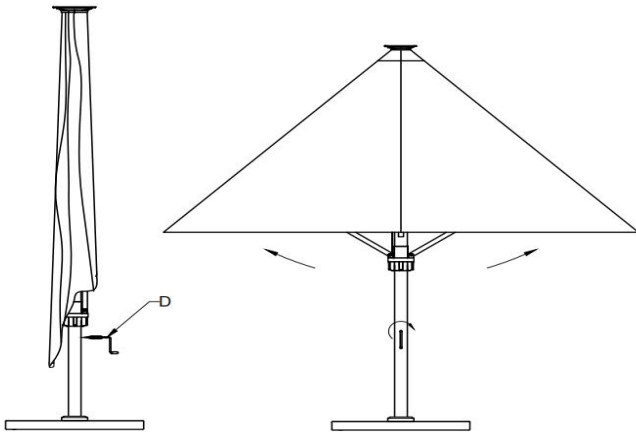


Insert the umbrella pole onto the adapter tube and secure it with set screws. Ensure the base has enough weight for stability.



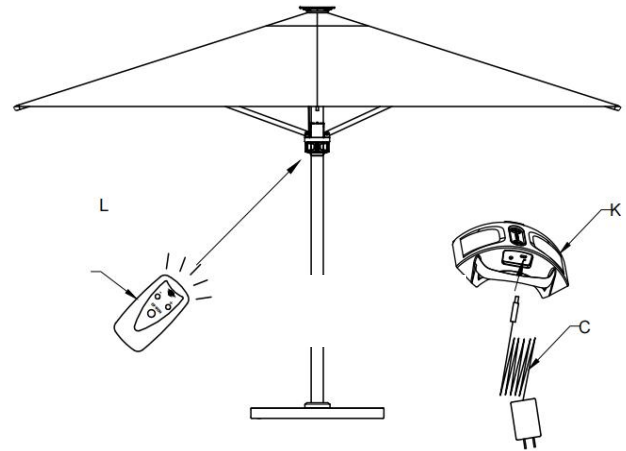
Opening

Open the parasol via the crank upwards to a suitable height, the umbrella will automatically lock into the place.



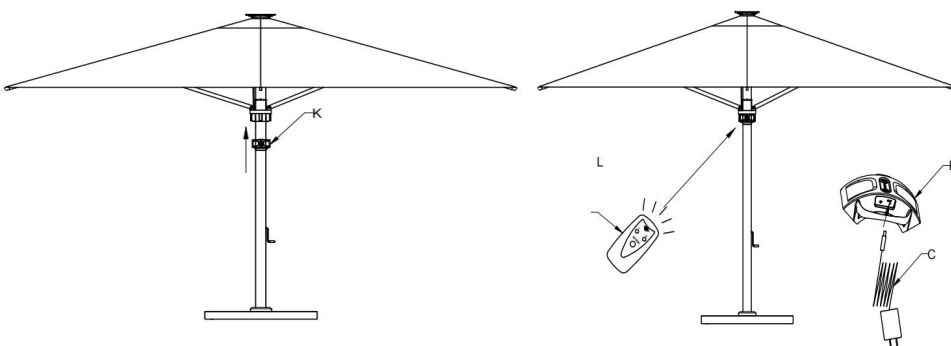
Warning

Do not allow contact with rain when using the charger.
When using the charger, please turn off the lights.



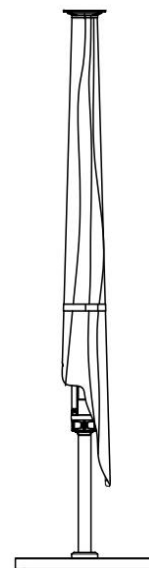
Lighting

Take out the umbrella pole and assembly the Battery back onto the pole.
Charge the Battery back via the charging cable.



Closing

Close the parasol via the crank.
Secure the canopy with the velcro tie, make sure the velcro tie goes around the pole.



Manufacturer and seller expressly disclaim any and all liability for personal injury, property damage or loss, whether direct, indirect, or incidental, resulting from the incorrect attachment, improper use, inadequate maintenance, or neglect of this product.