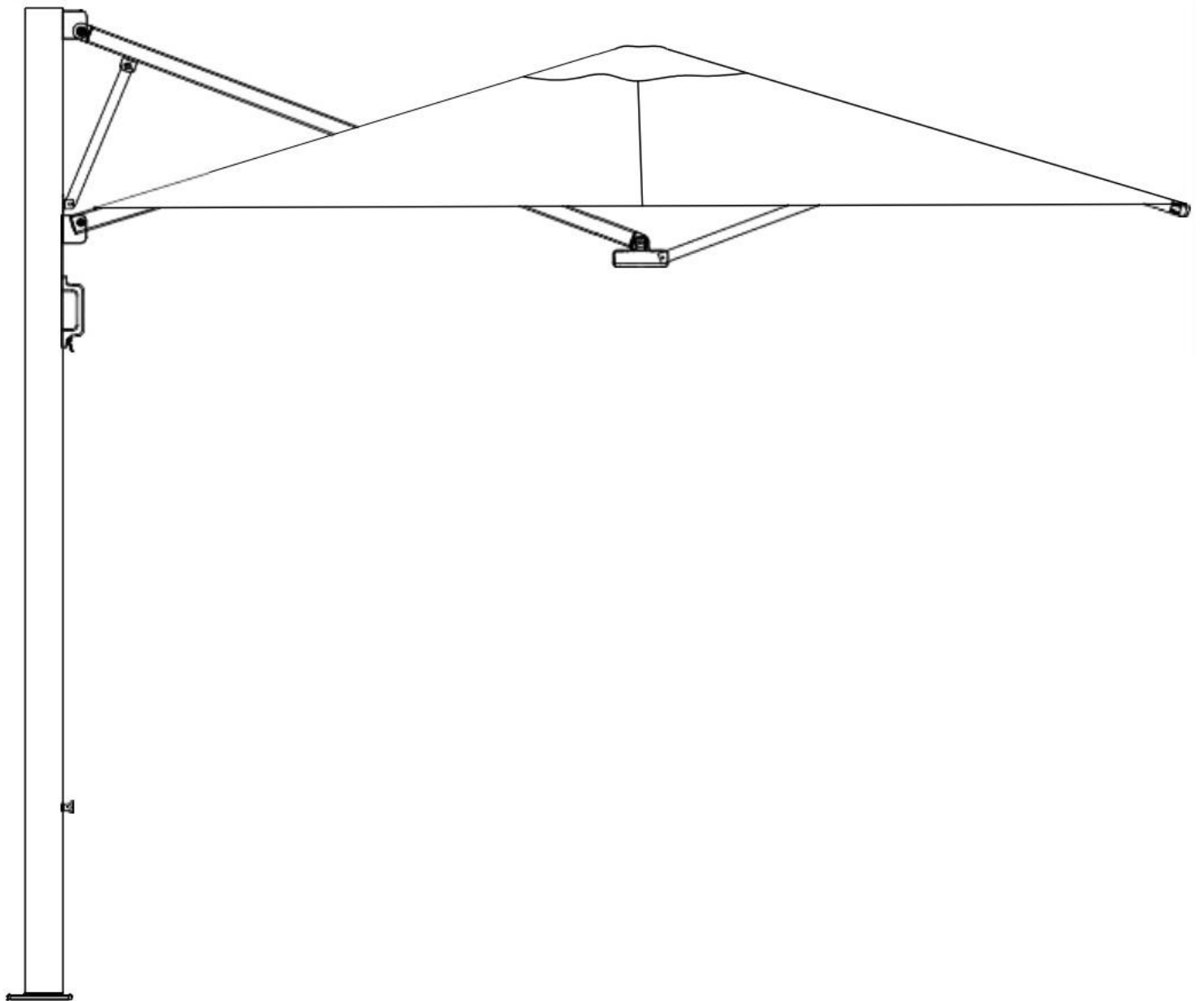


Instruction Manual

Cygnus

Aluminum cantilever umbrella



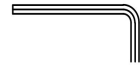
Parts



A
Parasol(1)



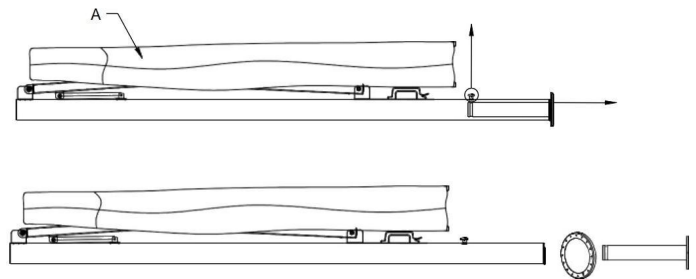
B
M10*20(4)



C
Allen Key 6#(1)

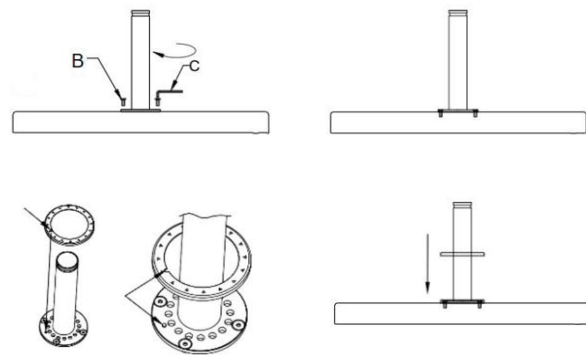
Assembly

Take out the parasol (Item A) and adapter tube, ensure all parts are intact and free of damage.

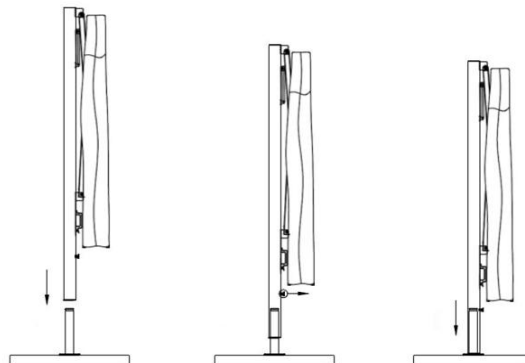


Insert the M10*20 fixing bolts (Item B) into the aligned holes.

Use the Allen Key #6 (Item C) to tighten the bolts clockwise until the adapter tube is firmly fixed. Do not over-tighten to avoid damaging the thread.

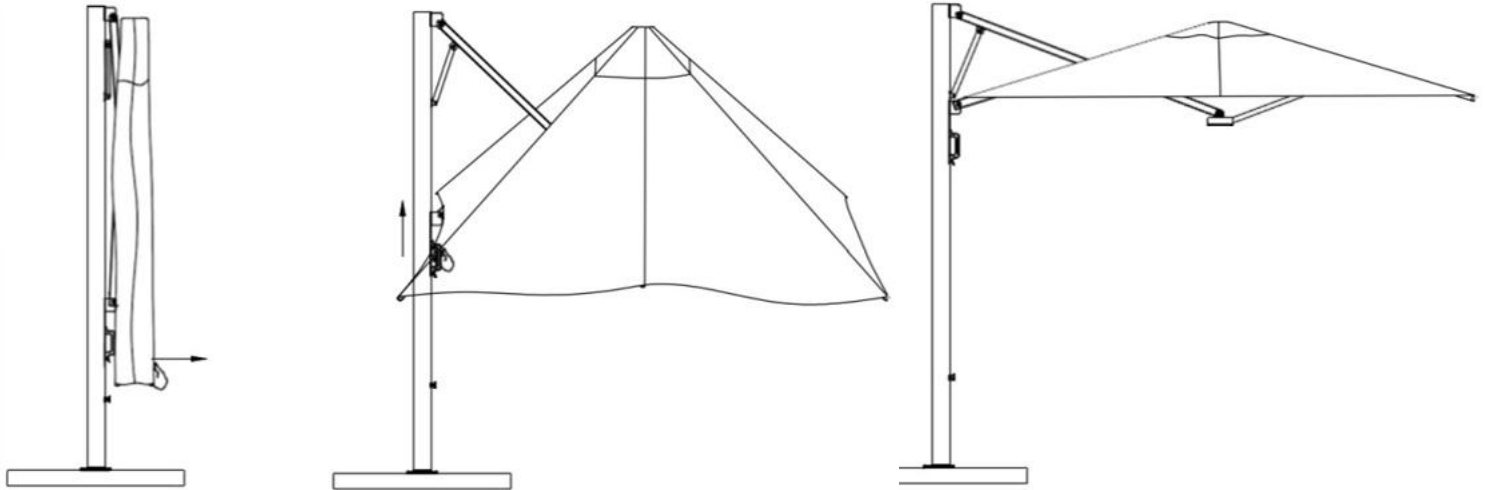


Insert the umbrella pole onto the adapter tube and secure it with set screws. Ensure the base has enough weight for stability.



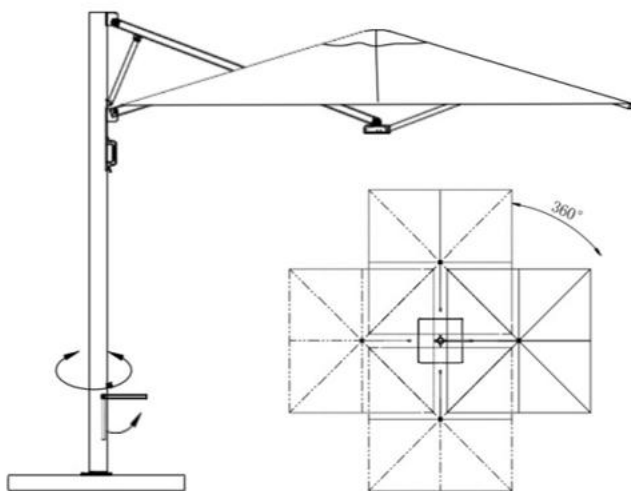
Opening

Push the slider upwards to a suitable height, the umbrella will automatically lock into the place. Canopy will open with air spring system.



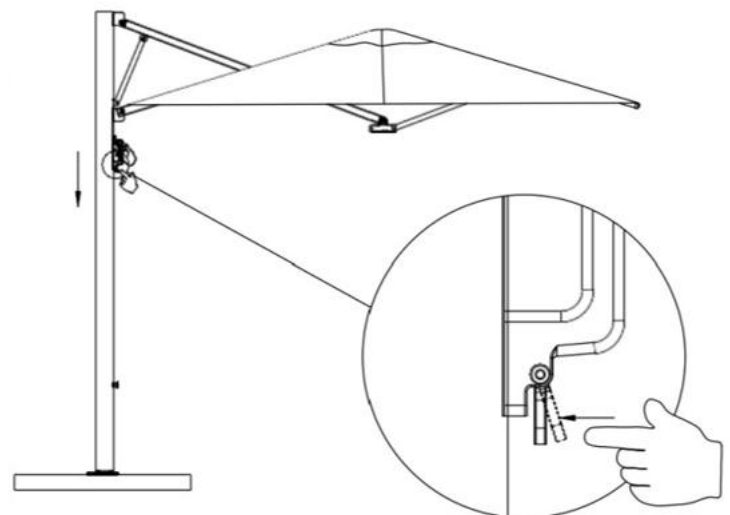
Rotating

Rotate the umbrella 360° by inner handle.
NOTE: Please close the umbrella when the wind is strong to ensure safety.



Closing

Close the canopy by moving the slider downward until the bottom. Secure the canopy with the velcro tie, make sure the velcro tie goes around the pole.



Manufacturer and seller expressly disclaim any and all liability for personal injury, property damage or loss, whether direct, indirect, or incidental, resulting from the incorrect attachment, improper use, inadequate maintenance, or neglect of this product.