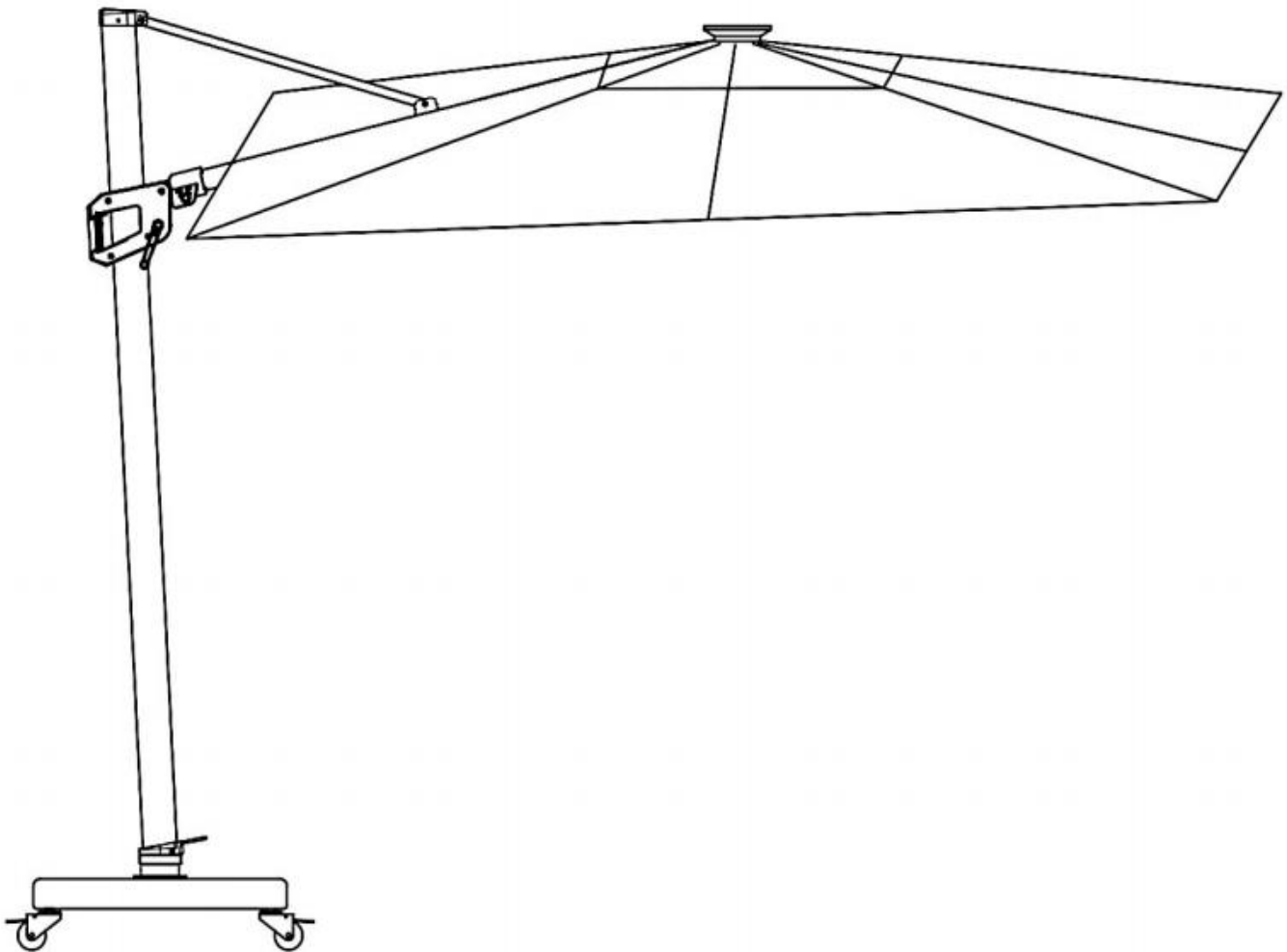




Instruction Manual

Auriga

Aluminum cantilever umbrella



Parts



A
Parasol(1)



B
Crank(1)



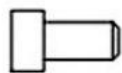
C
M10*20(4)



D
Washer \varnothing 10(4)



E
Allen Key 8 #(1)



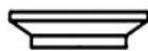
F
M8*16(2)



G
Washer \varnothing 8(2)



H
Allen Key 6 #(1)



J
Solar Panel(1)



K
Charging Cable(1)

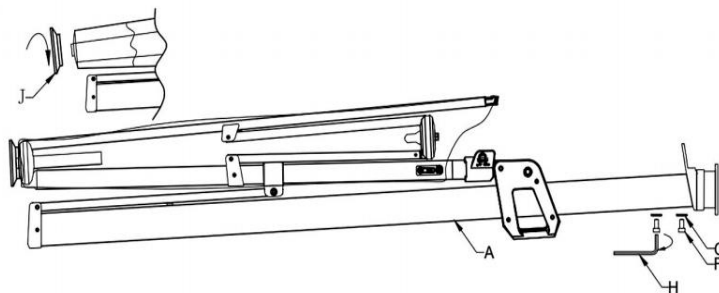


L
Light Button(1)

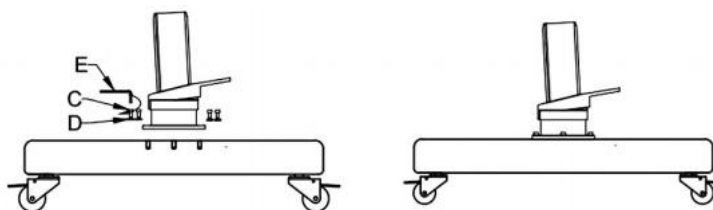
Assembly

Take out the parasol and assemble the rotating device onto the base, ensure all parts are intact and free of damage.

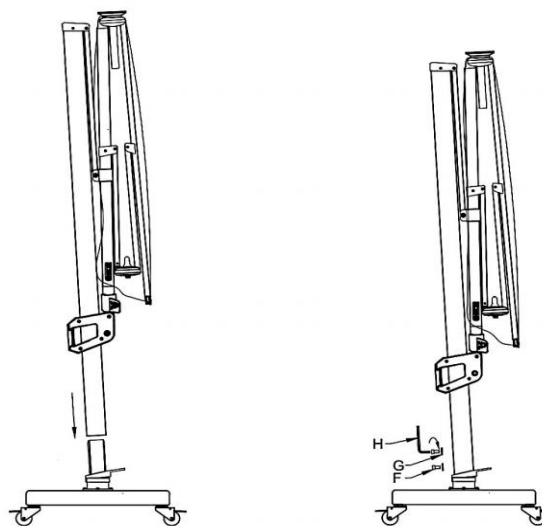
Assembly cap onto the top of the parasol.



Mount the rotating device on the base.

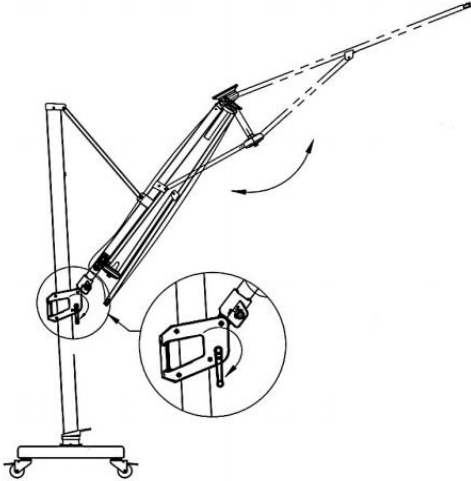


Insert the umbrella pole onto the rotating device and secure it with set screws. Ensure the base has enough weight for stability.



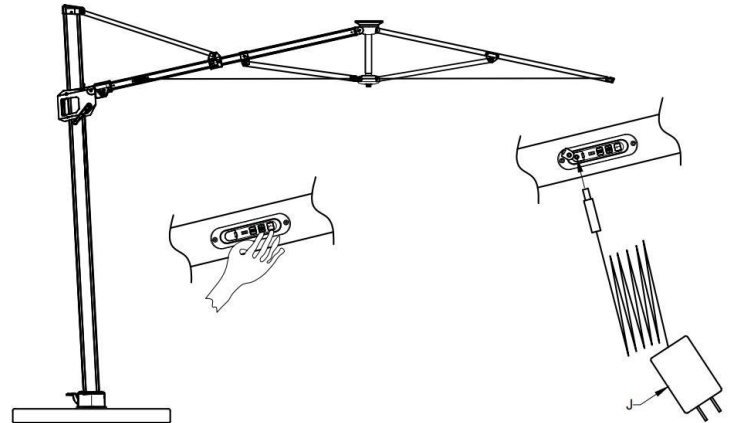
Opening

Open the parasol via the crank upwards to a suitable height, the umbrella will automatically lock into the place.



Warning

Do not allow contact with rain when using the charger(K).
When using the charger, please turn off the lights.



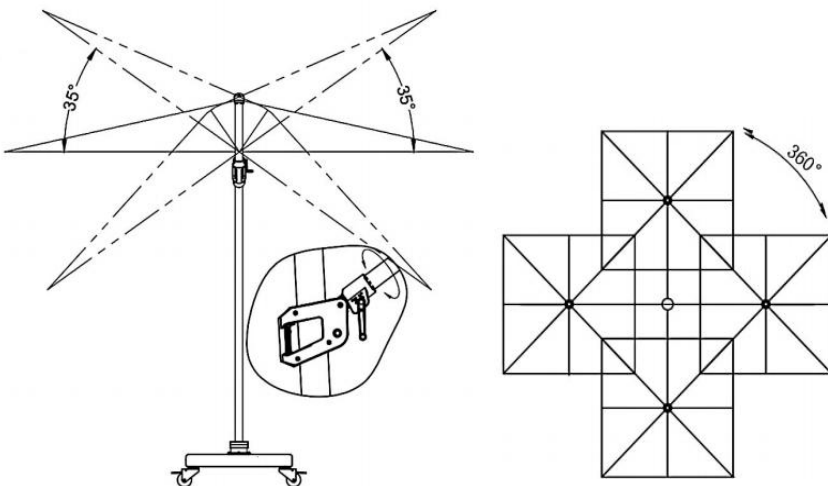
Rotating+Tilt

Once the umbrella canopy is fully open,
Twist tilting function.

Move the slider downwards to select the
desired angle.

Rotate the umbrella 360° by stepping on
the rotating device.

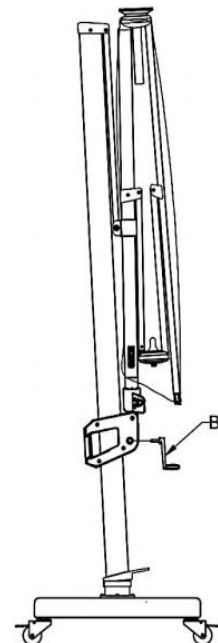
NOTE:Please close the umbrella when the
wind is strong to ensure safety.



Closing

Close the parasol via the crank.

Secure the canopy with the velcro tie,
make sure the velcro tie goes around the
pole.



Manufacturer and seller expressly disclaim any and all liability for personal injury, property damage or loss, whether direct, indirect, or incidental, resulting from the incorrect attachment, improper use, inadequate maintenance, or neglect of this product.